

# LIQUID FILLED TRANSFORMER

## APPROXIMATE WEIGHTS LBS

HV : 115000 GrdY/66395  
 LV : 34500 GrdY/19919  
 kVA: 12088/16077 AT 55°C RISE  
 kVA: 13538/18000 AT 65°C RISE  
 HV WINDING MATERIAL : COPPER  
 IMPEDANCE: 8.81 % AT 115000-34500 V & 12088 kVA  
 CONTAINS NO DETECTABLE LEVEL OF PCB (< 1 PPM) AT THE TIME OF MANUFACTURE  
 \*HO WINDING BIL=200 kV. \*\*XO WINDING BIL=200 kV.

CORE & COILS	30530
TANK & FITTINGS	27090
TYPE II MINERAL OIL	
MAIN TANK (GAL)	3740
APPROX TOTAL WT	28050
UNTANKING MASS	89100
	33960

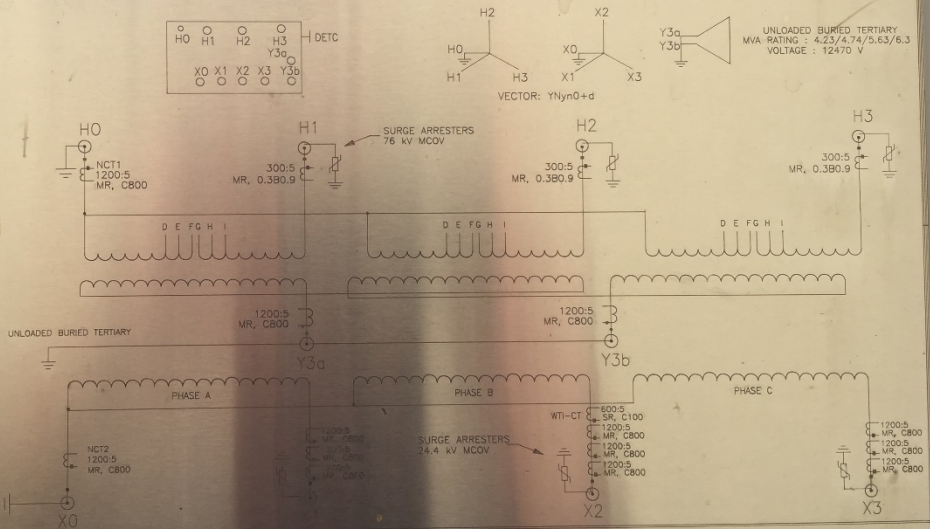
MAX. OPERATING PRESS. 9 PSI POS., 7 PSI NEG.  
 TANK DESIGNED FOR 15 PSI VACUUM  
 25°C OIL LEVEL TO TOP FLG. OF MANHOLE, 15.88 IN.  
 LIQ. LEVEL CHGS. 0.24 IN PER 10°C CHG. IN LIQ. TEMP.

REFER TO INSTRUCTION MANUAL 1F-4 BEFORE ENERGIZATION.

HV TAP VOLTAGE AND CURRENT			
VOLTS	AMPS AT 18000 KVA	DETC POS.	CONNECTION
120750	86.1	1	G-F
117875	88.2	2	F-H
115000	90.4	3	H-E
112125	92.7	4	E-I
109250	95.1	5	I-D

LV (VOLTAGE AND CURRENT)	
VOLTS	AMPS
34500	301



VIRGINIA TRANSFORMER  
ROANOKE, VA



**CAUTION**  
OPERATE MANUAL TAP CHANGER SWITCH  
ONLY WHEN TRANSFORMER IS DE-ENERGIZED